

# PAN-WAY™ 1 GANG LOW VOLTAGE JUNCTION BOX

# FOR USE WITH PANDUIT® SURFACE RACEWAY ROUTING SYSTEM

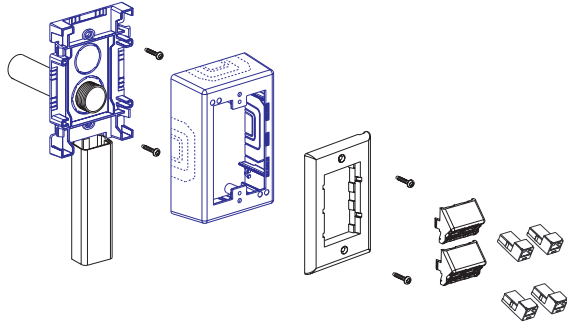
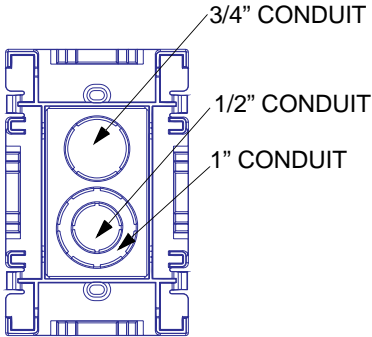
Part Numbers: JBX3510

## INSTALLATION INSTRUCTIONS

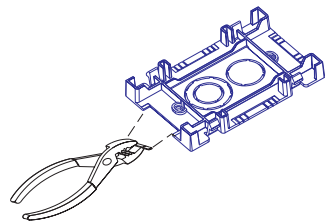
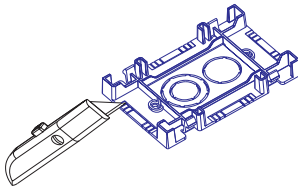
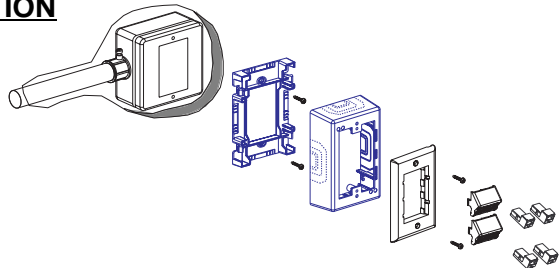
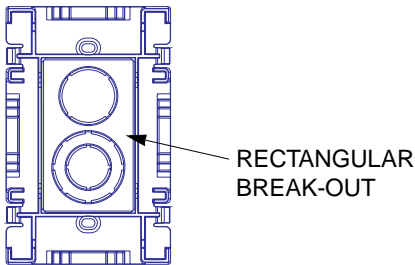
©Panduit Corp. 2000

Made in U.S.A.

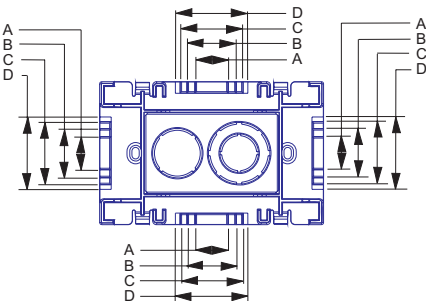
### CONDUIT APPLICATION



### IN-WALL BOX DATA APPLICATION

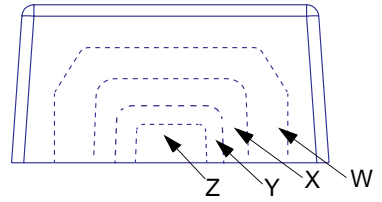
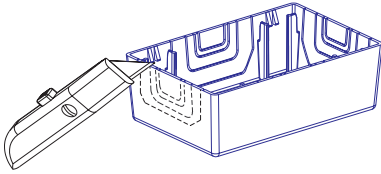


### Ordering Information



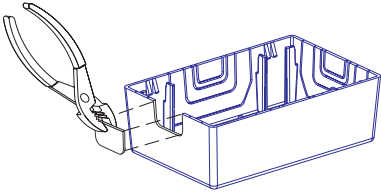
BASE	RACEWAY
A	LDP3, LDS3, LD3, CD3, PD3
B	LDP5, LDS5, LD5, CD5, PD6
C	LDP10, LD10, CD10
D	T45

# 1 GANG LOW VOLTAGE JUNCTION BOX INSTRUCTION SHEET

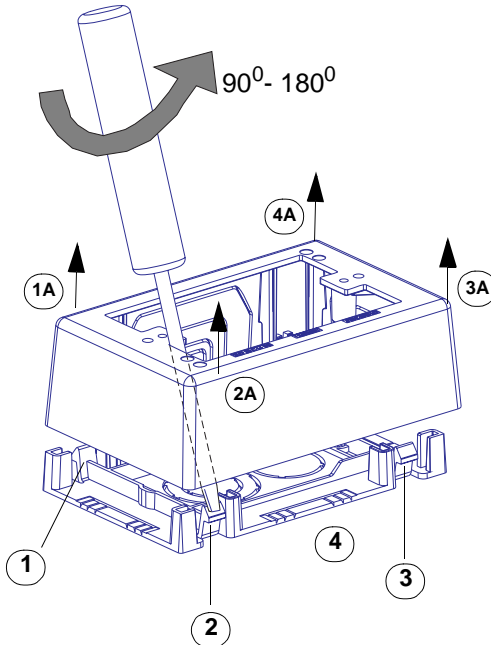


## Ordering Information

COVER	RACEWAY	ADAPTER
W	T45	-
X	LDP10, LD10, CD10	-
X	PD3	BA3
X	PD6	BA6
Y	LDP5, LDS5, LD5, CD5	-
Z	LDP3, LDS3, LD3, CD3	-



## COVER REMOVAL



**For Technical Assistance, call: 888-506-5400, Ext. 8287**



17301 Ridgeland Avenue  
 Tinley Park, IL 60477-3091  
 Phone: 888-506-5400, Ext. 8287  
 FAX: 815-836-1811  
 WORLDWIDE SUBSIDIARIES AND SALES OFFICES

Instruction Sheet RW66B